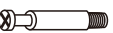








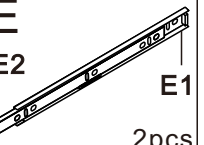
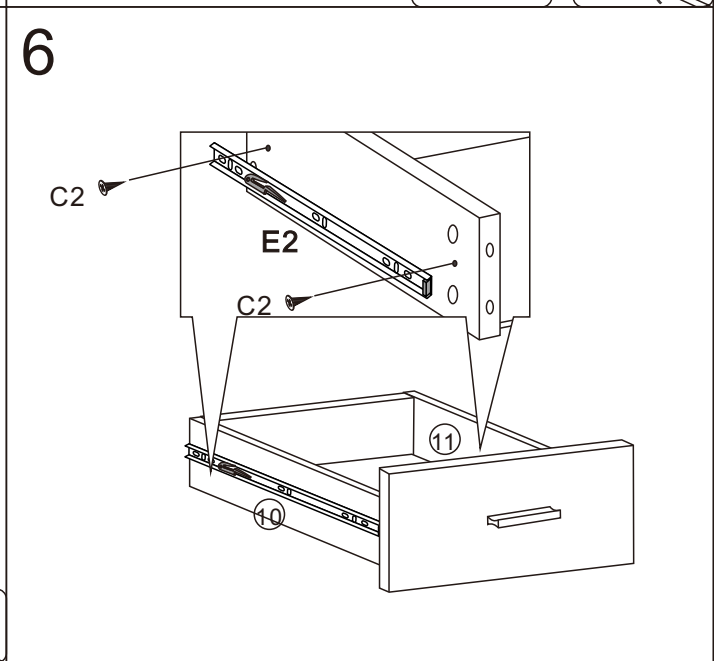
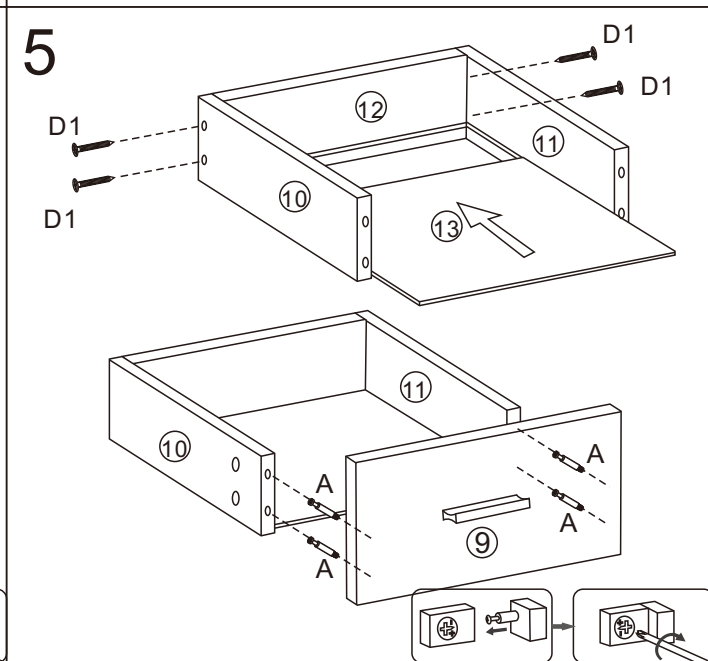
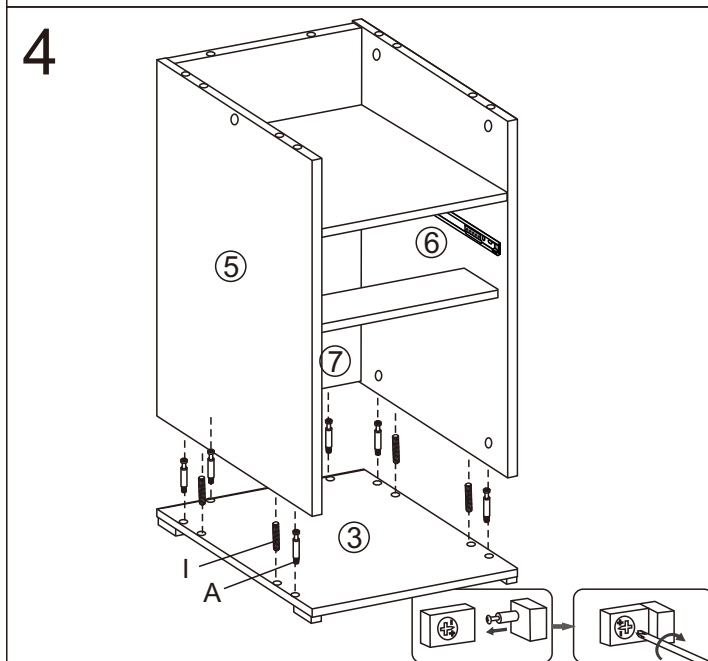
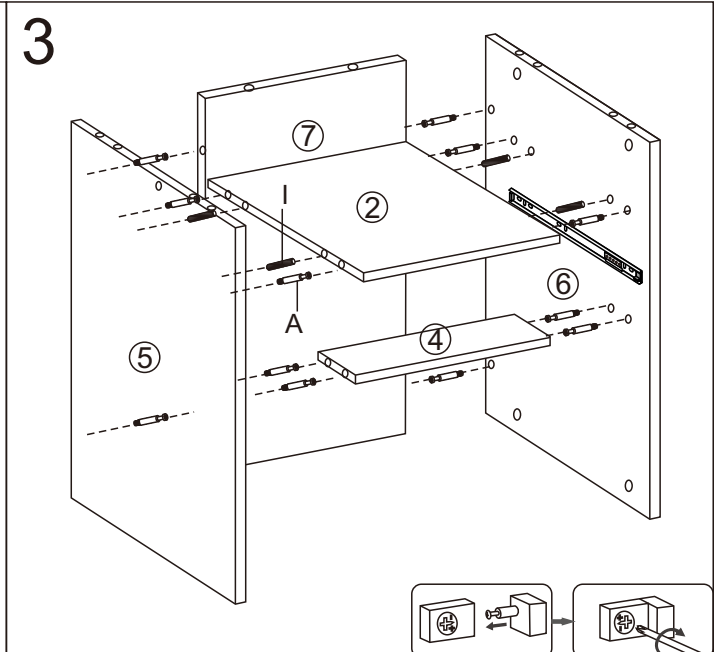
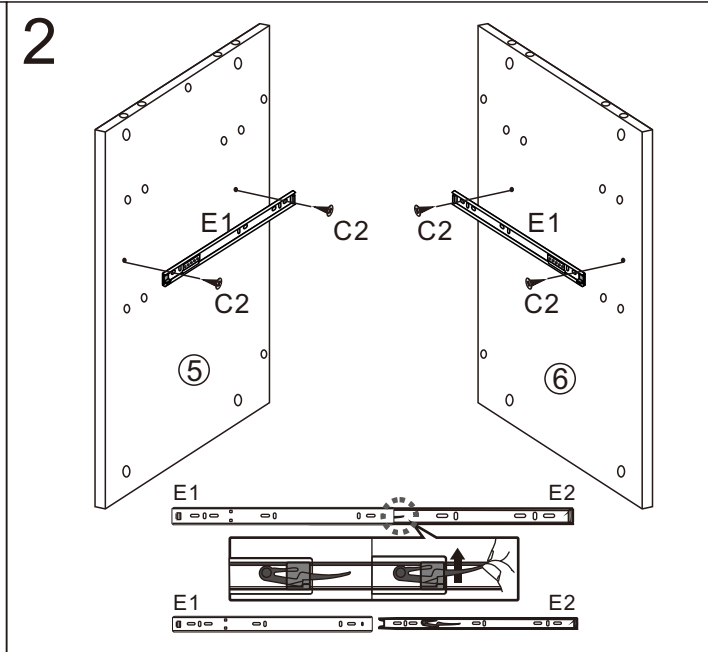
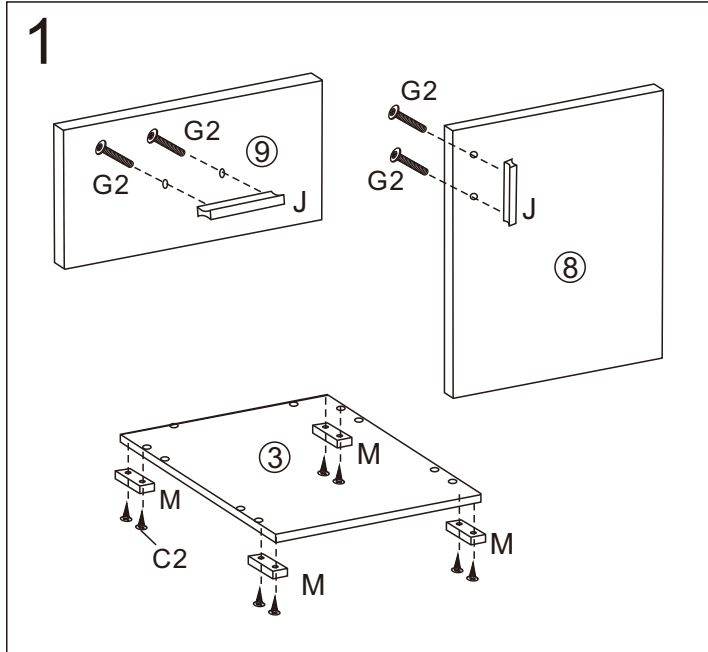
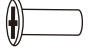





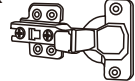
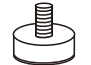



<p>A</p>  <p>28pcs</p>	<p>B1</p>  <p>M6X50mm 1pc</p>	<p>B2</p>  <p>M6X30mm 2pcs</p>	<p>B3</p>  <p>M6X25mm 1pc</p>	<p>B4</p>  <p>M6X15mm 2pcs</p>	<p>C1</p>  <p>ST3. 5X30mm 2pcs</p>	<p>C2</p>  <p>ST3. 5X14mm 28pcs</p>	<p>D1</p>  <p>ST5X50mm 4pcs</p>	<p>D2</p>  <p>ST5X40mm 2pcs</p>	<p>E</p>  <p>E1 E2 2pcs</p>
--	---	--	---	---	--	---	---	---	--



<p>F</p>  <p>M6mm 2pcs</p>	<p>G1</p>  <p>M4X25mm 1pc</p>	<p>G2</p>  <p>M4X18mm 4pcs</p>	<p>H</p>  <p>M4mm 1pc</p>	<p>I</p>  <p>8X30mm 12pcs</p>	<p>J</p>  <p>2pcs</p>	<p>K</p>  <p>2pcs</p>	<p>L</p>  <p>2pcs</p>	<p>M</p>  <p>4pcs</p>
--	---	--	---	---	---	--	--	---

