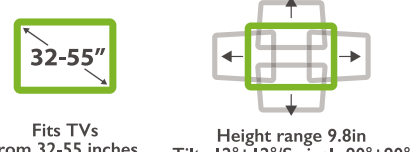


**klipxtreme** Fully articulated mount with spring mechanism for LED/LCD and plasma displays

**KPM-835**



**Introduction:**

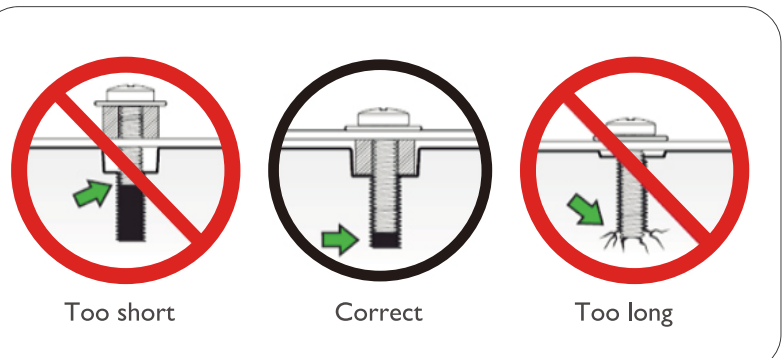
Thank you for purchasing the KPM-835 Fully articulated mount with spring mechanism. This product is shipped with all proper installation hardware and components. Upon opening the box, make sure that none of these parts are missing and/or damaged before beginning installation.

**I. Hardware kit**

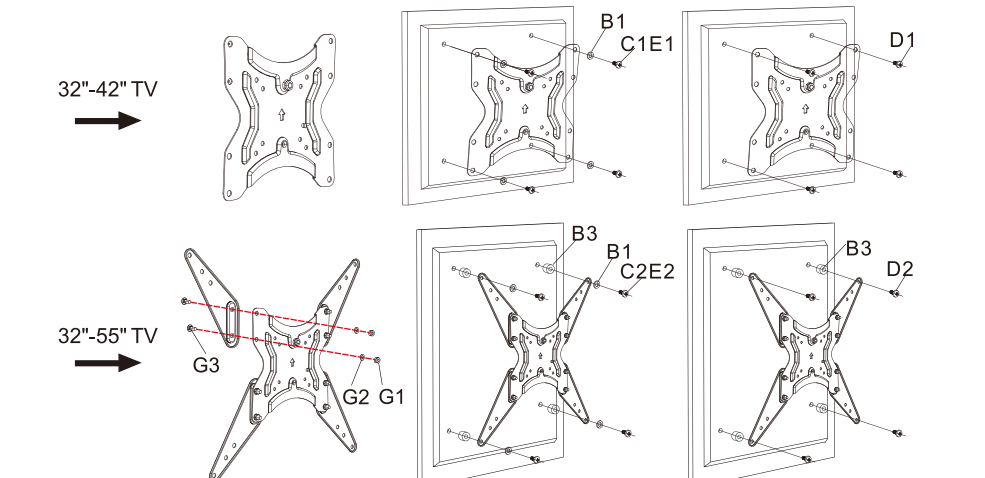
Label	Image	Item	Quantity
1		Arm assembly	1
2		VESA plate	1
3		Plate extension	4
4		Decorative assembly cover	2
A1		M8 lag bolt	3
A2		M8 concrete anchor	3
A3		M8 metal flat washer	3
B1		M8 metal flat washer	4
B2		Bubble level	1
B3		Long round spacer for curved screens	4

3. Determine the correct screw size by carefully inserting a straw or toothpick, and mark the depth of the mounting point. Please note that not all the hardware included will be used.

**CAUTION:** Verify the adequate thread engagement of the screw/spacer combination on your TV. Too short will not hold the TV and too long will damage the TV.



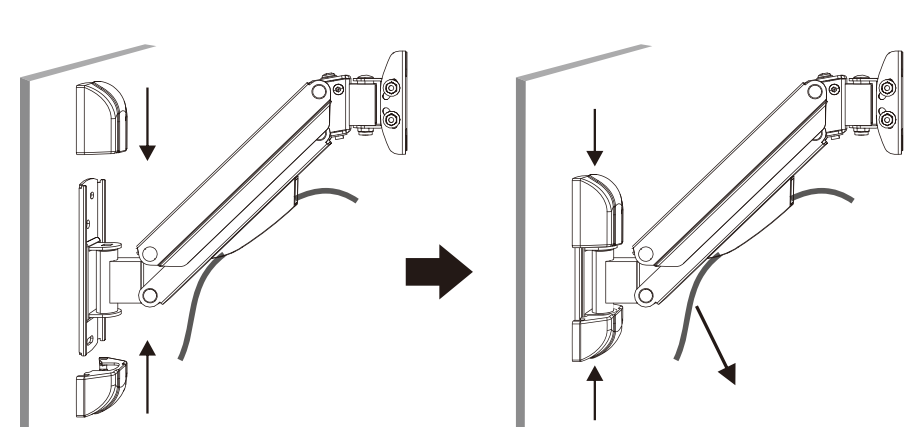
4. Also determine the VESA pattern that matches your TV. For screens over 37 inches in size, use the extension plates and the supplied hardware, as indicated below.



**Mount installation on standard flat and curved displays**

5. If using the extension plates, make sure to secure all four extenders with a nut/wrench.
6. If your TV has a curved back or recessed mounting points, spacers and longer screws must be placed between the mounting plate and the screen to compensate the difference in depth.

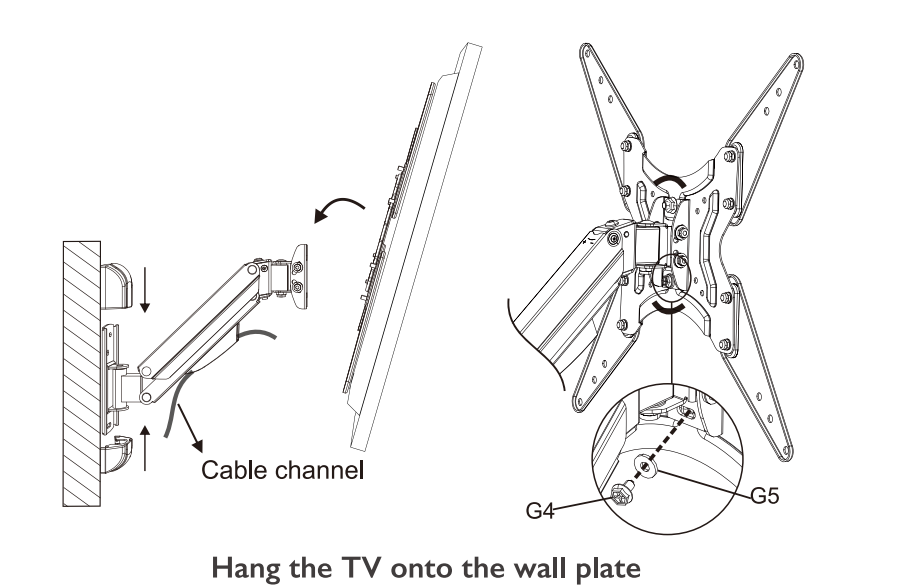
9. Insert lag bolts and washers, and drive them firmly into the wall.
10. Finish by installing the decorative covers on the top and bottom of the plate.



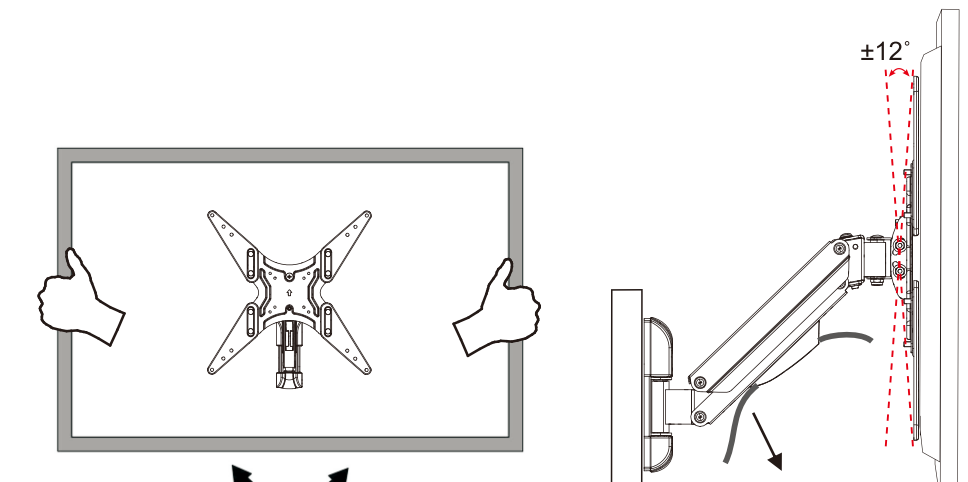
**5. Final assembly**

**Note:** Make sure that the display weighs at least 22lb or more. Some flat panels require two people to lift and position it onto the extension arm.

1. Slide the screen with the VESA plate onto the top of the arm mount.
2. Then replace the bottom mounting bolt and nut, removed earlier, and tighten all fasteners to firmly secure the display onto the wall, as shown in the figure below.



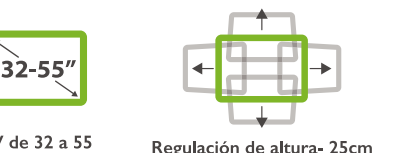
5. Adjust the tilt and swivel angles at the desired viewing position directly from the joints on the wall plate or the ones located in the mounting arm assembly.



6. Finally route the cables through the cord management channels, for an organized and professional looking installation.

**klipxtreme** Soporte neumático de gas totalmente articulado para pantallas LED/LCD y plasma

**KPM-835**



**Introducción:**

Gracias por preferir el Soporte neumático de gas totalmente articulado KPM-835. Este producto viene con todos los herrajes y componentes necesarios para su instalación. Cuando abra el empaque, verifique la condición y cantidad de las piezas mencionadas en la lista antes de comenzar la instalación.

**I. Kit de herrajes**

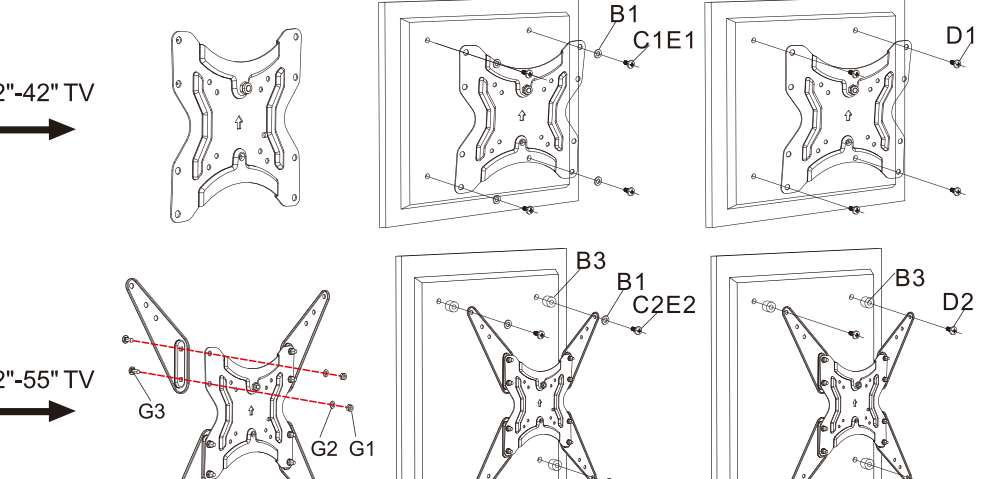
Etiqueta	Imagen	Descripción	Cantidad
1		Brace de montaje	1
2		Placa VESA para monitor	1
3		Extensión para la placa	4
4		Cubierta decorativa para montaje	2
A1		Tornillo trapecoidal M8	3
A2		Tanajo para concreto M8	3
A3		Arandela plana de metal M8	3
B1		Arandela plana de metal M8	4
B2		Nivel de burbuja	1
B3		Espaciador redondo ancho para pantalla curva	4

2. Quite el tornillo inferior y la arandela preinstalados en la placa VESA y guárdelos para su uso posterior (Sección 5).
3. Mida cuidadosamente la profundidad de los agujeros insertando un palillo con el fin de determinar el tornillo con la longitud adecuada. Cabe hacer notar que no se utilizarán todos los herrajes incluidos.

**PRECAUCIÓN:** Verifique que la combinación entre el tornillo de rosca y el espaciador sea la correcta para su televisor. De ser muy corta, no será capaz de sostener el televisor, y de quedar demasiado larga, podría dañar la unidad.



4. También determine el patrón VESA acorde con el tamaño de su TV. Para pantallas de 37 pulgadas o más, use las placas de extensión y herrajes suministrados, como se indica en la ilustración.



**Instalación de la placa en un panel curvo o plano estándar**

5. De instalar las placas de extensión, asegúrese de fijar las cuatro piezas con una llave para tuercas.
6. Deberá utilizar espaciadores o tornillos más largos entre la placa y la pantalla si el panel posterior tuviera forma curva o puntos de montaje embudidos, para compensar la diferencia de profundidad.

3. Con la llave allen suministrada, ajuste ahora la tensión del resorte. Gírelo en sentido horario para aumentar la tensión cuando se utilizan monitores más pesados, o en sentido contrario para reducir la tensión cuando son más livianos.



4. Para fijar su televisor en el nivel deseado, se recomienda determinar el punto central de equilibrio ya que ofrece la mejor posición para realizar el ajuste de acuerdo a sus preferencias y al peso de su dispositivo en particular.



5. Ajuste la tensión de la mola usando a clave allen fornecida. Gírela en sentido horario para aumentar a tensão para monitores mais pesados ou gírela no sentido anti-horário para diminuir a tensão para os mais leves.



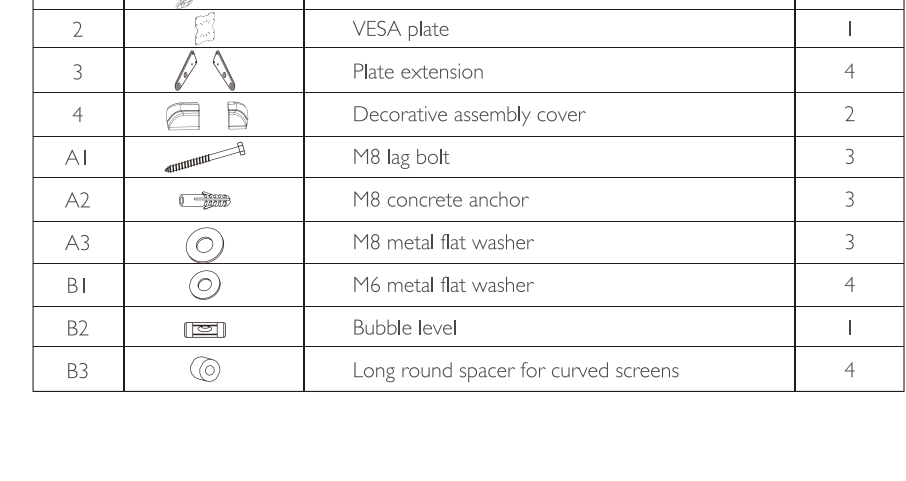
4. Para ajustar a sua TV no nível desejado, recomenda-se determinar o ponto central que oferecerá a melhor posição para realizar o ajuste com base nas suas preferências e no peso do seu dispositivo específico.



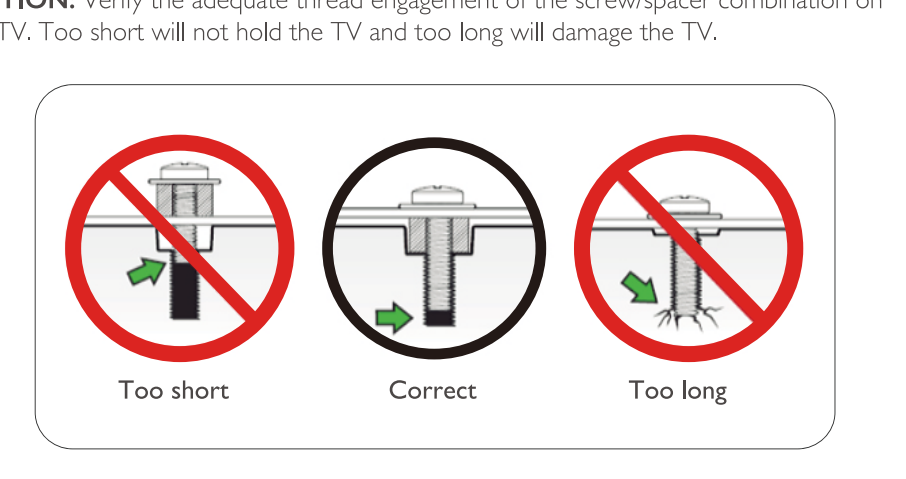
7. Aperte a placa à tela usando uma chave de fenda. Tenha cuidado para não apertar demais os parafusos para não danificar o dispositivo.

**4. Instalação do suporte na parede**

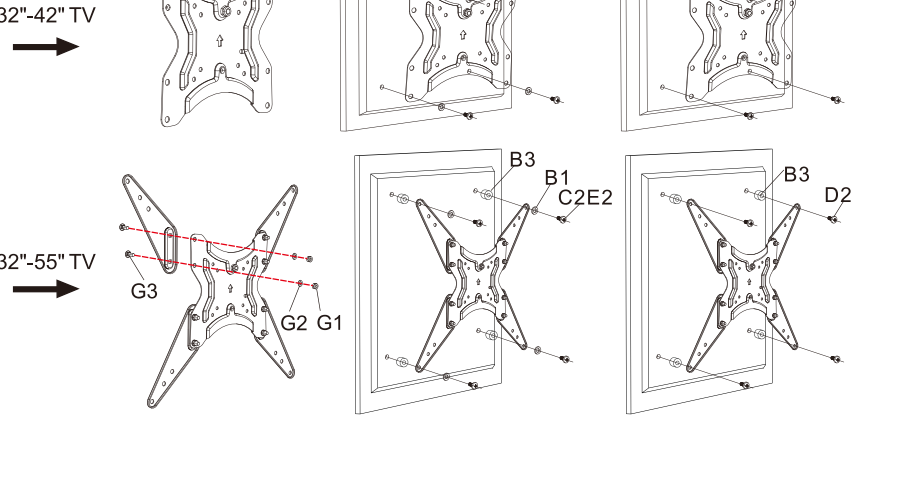
1. Meça a parede e marque os pontos de montagem.
2. Para gesso ou paredes de madeira, primeiro localize as vigas da parede. Você pode usar um localizador de vigas para determinar o centro de cada uma delas.
3. Certifique-se de que os encaixes de montagem estejam alinhados verticalmente e centralizados nas vigas.
4. Em seguida, marque as duas primeiras posições encontradas na parede.



5. Para paredes de concreto ou tijolo, nivele a placa de parede e marque as localizações dos furos.

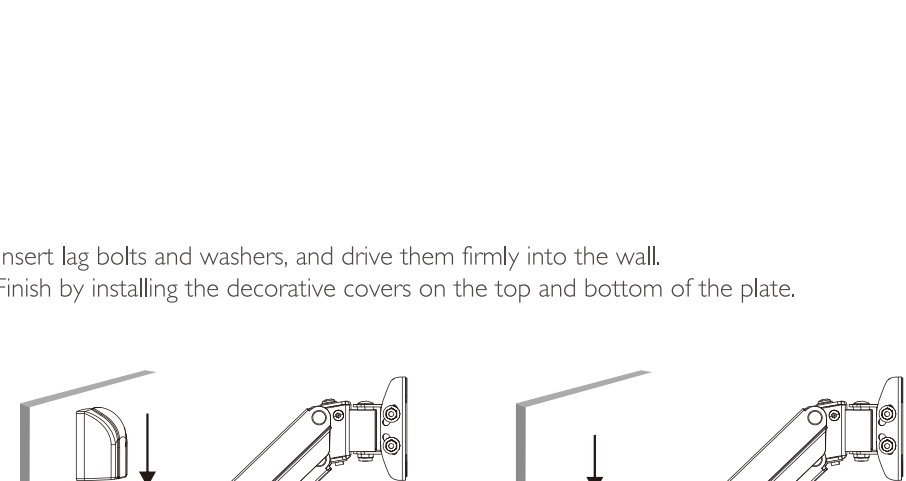


6. Verifique o nível da bolha. Se a bolha estiver centrada entre as linhas, isso significa que a placa de parede está posicionada corretamente na superfície.
7. Prosiga com a perfuração do furo piloto utilizando uma broca.



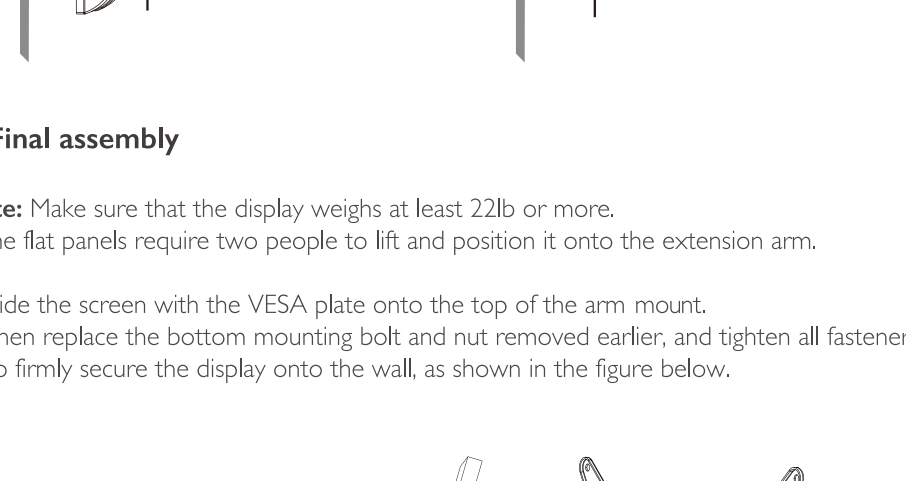
**Instalação em uma parede de gesso ou madeira**

5. Para paredes de concreto ou tijolo, nivele a placa de parede e marque as localizações dos furos.



**Instalação na parede de concreto**

6. Verifique o nível da bolha. Se a bolha estiver centrada entre as linhas, isso significa que a placa de parede está posicionada corretamente na superfície.
7. Prosiga com a perfuração do furo piloto utilizando uma broca.



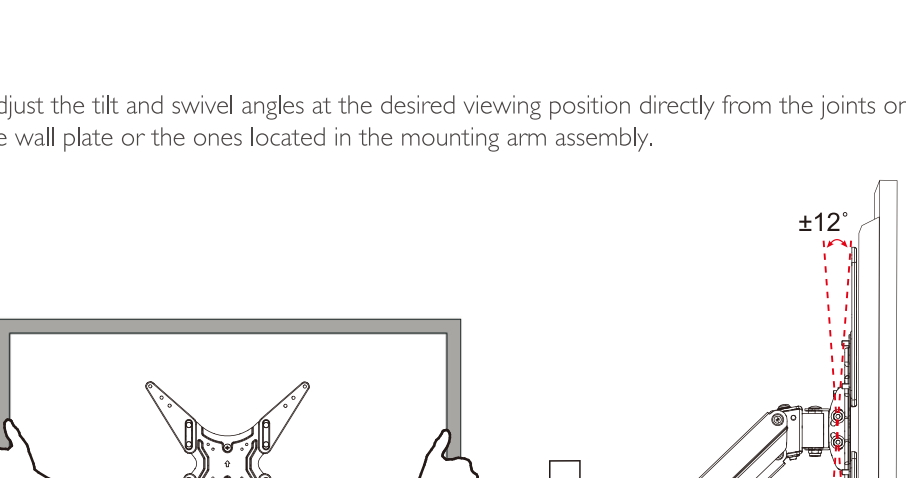
**Hang the TV onto the wall plate**

5. Adjust the tilt and swivel angles at the desired viewing position directly from the joints on the wall plate or the ones located in the mounting arm assembly.

**5. Final assembly**

**Note:** Make sure that the display weighs at least 22lb or more. Some flat panels require two people to lift and position it onto the extension arm.

1. Slide the screen with the VESA plate onto the top of the arm mount.
2. Then replace the bottom mounting bolt and nut, removed earlier, and tighten all fasteners to firmly secure the display onto the wall, as shown in the figure below.



6. Finally route the cables through the cord management channels, for an organized and professional looking installation.

**Soporte totalmente articulado con mecanismo de mola de gas para telas LED / LCD e plasma**

**KPM-835**



**Introdução:**

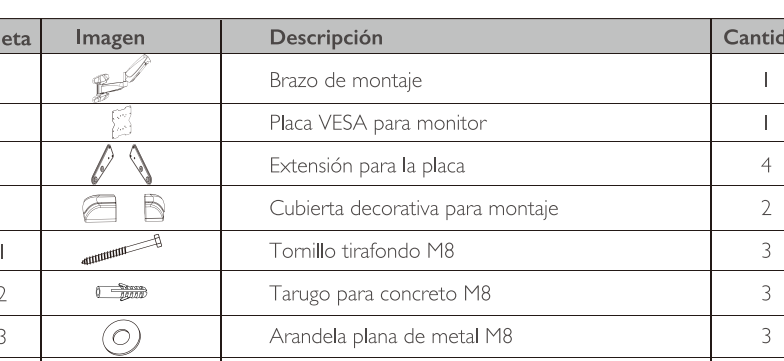
Obrigado por adquirir o suporte totalmente articulado com mecanismo de mola KPM-835. Este produto é fornecido com toda a ferragem e componentes de instalação apropriados. Ao abrir a caixa, certifique-se de que nenhuma destas peças está faltando e/ou danificada antes de iniciar a instalação.

**I. Kit de ferragens**

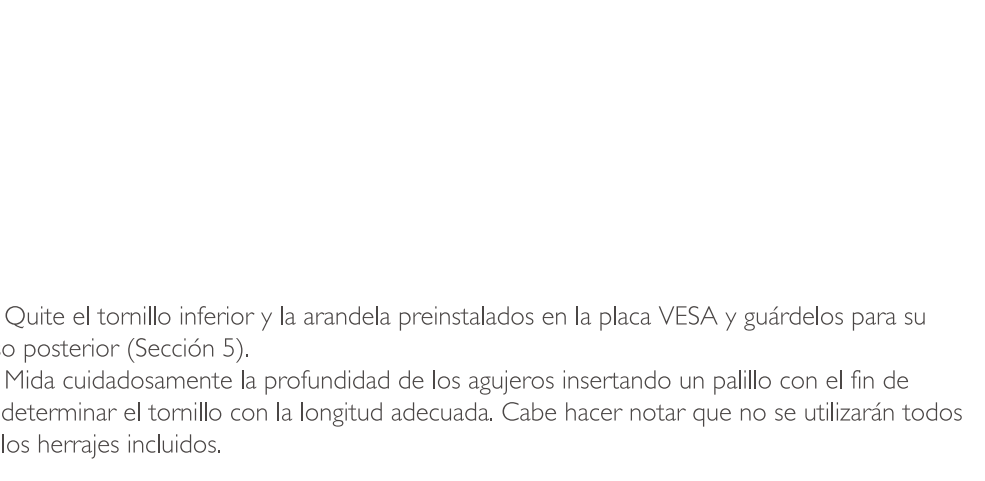
Etiqueta	Imagem	Item	Quantidade
1		Conjunto do braço	1
2		Placa VESA	1
3		Placa de extensão	4
4		Tampas decorativas	2
A1		Parafuso trapecoidal M8	3
A2		Âncora para concreto M8	3
A3		Arruela de metal M8	3
B1		Arruela plana de metal M8	4
B2		Nível de bolha	1
B3		Espaciador longo para telas curvas	4

3. Determine o tamanho do parafuso correto inserindo um canudo ou palito cuidadosamente e marque a profundidade do ponto para montagem. Observe que nem toda a ferragem incluída será utilizada.

**CUIDADO:** Verifique o encaixe da rosca adequada da combinação parafuso/espaciador na sua TV. Se for demasiado curto não segurará a TV e muito longo danificará a TV.

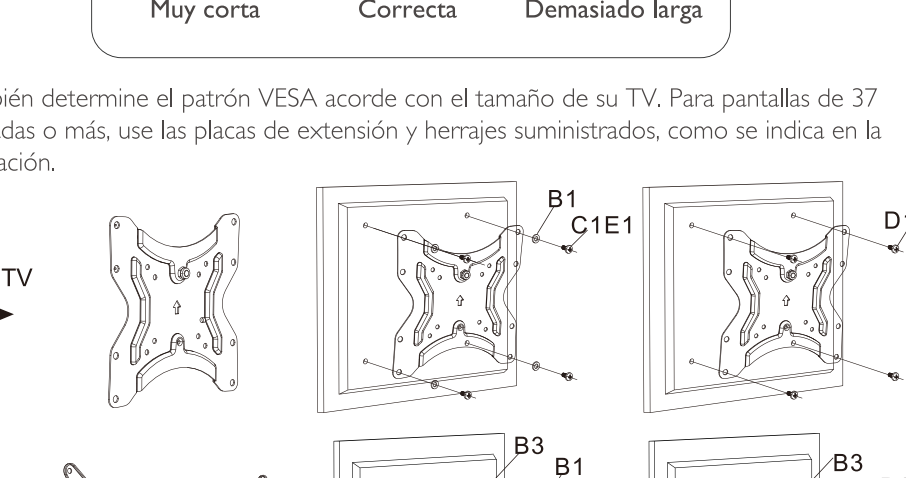


4. Além disso, determine o modelo VESA que corresponde à sua TV. Para telas com mais de 37 polegadas, use as placas de extensão e a ferragem fornecida, conforme indicado abaixo.



**Instalação do suporte para telas curvas e planas padrão**

5. Se estiver usando as placas de extensão, certifique-se de fixar os quatro extensores com uma chave de parafusos.
6. Se a TV tem curvatura traseira ou recesso nos pontos de montagem, os espaçadores e parafusos mais longos devem ser colocados entre a placa de montagem e a tela para compensar a diferença de profundidade.



**Hang the TV onto the wall plate**

5. Adjust the tilt and swivel angles at the desired viewing position directly from the joints on the wall plate or the ones located in the mounting arm assembly.

**5. Final assembly**

**Note:** Make sure that the display weighs at least 22lb or more. Some flat panels require two people to lift and position it onto the extension arm.

1. Slide the screen with the VESA plate onto the top of the arm mount.
2. Then replace the bottom mounting bolt and nut, removed earlier, and tighten all fasteners to firmly secure the display onto the wall, as shown in the figure below.



6. Finally route the cables through the cord management channels, for an organized and professional looking installation.

**Hang the TV onto the wall plate**

5. Adjust the tilt and swivel angles at the desired viewing position directly from the joints on the wall plate or the ones located in the mounting arm assembly.

**5. Final assembly**

**Note:** Make sure that the display weighs at least 22lb or more. Some flat panels require two people to lift and position it onto the extension arm.

1. Slide the screen with the VESA plate onto the top of the arm mount.
2. Then replace the bottom mounting bolt and nut, removed earlier, and tighten all fasteners to firmly secure the display onto the wall, as shown in the figure below.



6. Finally route the cables through the cord management channels, for an organized and professional looking installation.

Label	Image	Item	Quantity
C1		M8x12mm screw	4
C2		M8x30mm screw	4
D1		M8x45mm screw	4
D2		M8x30mm screw	4
E1		M8x12mm screw	4
E2		M8x30mm screw	4
F		Allen wrench	1
G1		Nut for extension plate	8
G2		Metal flat washer for extension plate	8
G3		Round head bolt for extension plate	8
G4		Hex screw	1
G5		Washer	1

**IMPORTANT:**

At least two qualified people should perform the assembly procedure. Personal injury and/or property damage can result from dropping or mishandling the display.

**Maximum flat or curved panel weight:**

The wall structure must be capable of supporting at least five times the weight of the flat panel. Otherwise, the wall structure must be reinforced.

**2. WARNING!**

- Prior to installing this product, you must read all instructions thoroughly. Keep these installation instructions in an easily accessible location for future reference.
- Safety measures must be practiced at all times during the assembly of this product. Use proper safety equipment and tools for the assembly procedure to prevent personal injury.
- Klip Xtreme does not warrant against damage caused by the use of any Klip Xtreme mounts for purposes other than those for which it was designed or damage caused by unauthorized attachments or modifications, and is not responsible for any damages, claims, demands, suits, actions or causes of action of whatever kind resulting from, arising out of or in any manner relating to any such use, attachments or modifications.

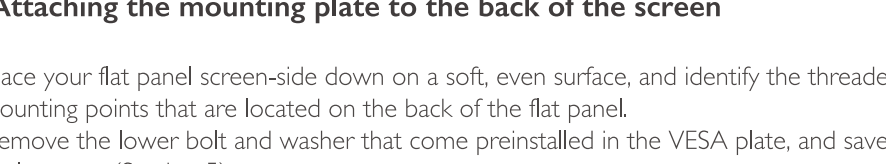
**3. Attaching the mounting plate to the back of the screen**

1. Place your flat panel screen-side down on a soft, even surface, and identify the threaded mounting points that are located on the back of the flat panel.
2. Remove the lower bolt and washer that come preinstalled in the VESA plate, and save them for later use (Section 5).

7. Tighten the plate to the screen using a screwdriver. Be careful not to over-tighten the screws to avoid damaging your device.

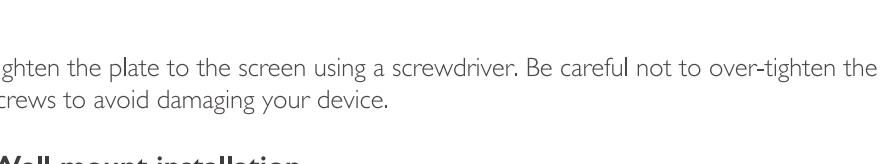
**4. Wall mount installation**

1. Measure the wall and mark mounting spots.
2. For gypsum or wooden walls, first locate studs. You may use a stud finder to determine the center of each stud.
3. Make sure the mounting slots are aligned and centered on the stud.
4. Next, mark the first two found stud positions on the wall.



**Wood or gypsum wall installation**

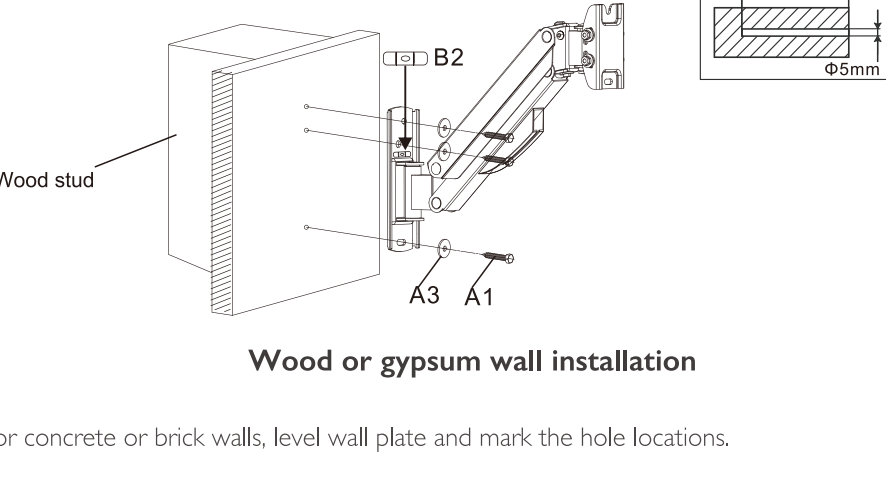
5. For concrete or brick walls, level wall plate and mark the hole locations.



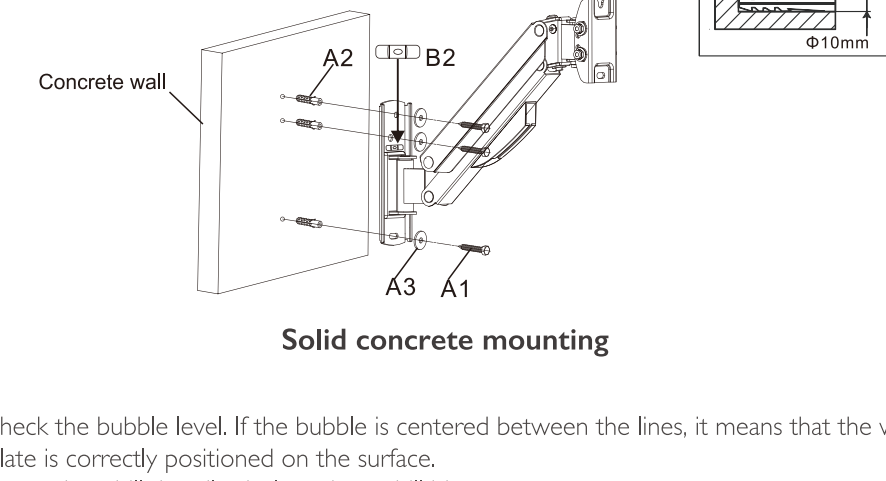
**Solid concrete mounting**

6. Check the bubble level if the bubble is centered between the lines, it means that the wall plate is correctly positioned on the surface.
7. Proceed to drill the pilot holes using a drill bit.
8. For concrete or brick walls, insert the anchors making sure they are seated flush with the surface.

3. Adjust the tension of the spring using the supplied allen wrench. Turn it clockwise to increase the tension for heavier monitors, or turn it counterclockwise to decrease the tension for lighter ones.



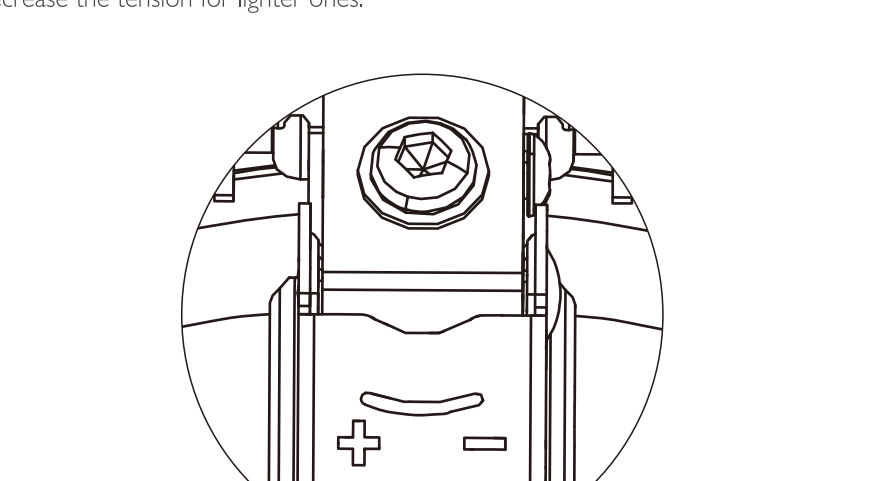
4. To set your TV at the desired level, it is recommended to determine the centerpoint that will offer the best adjustment position based on your preferences and the weight of your particular device.



6. Finally route the cables through the cord management channels, for an organized and professional looking installation.

**Hang the TV onto the wall plate**

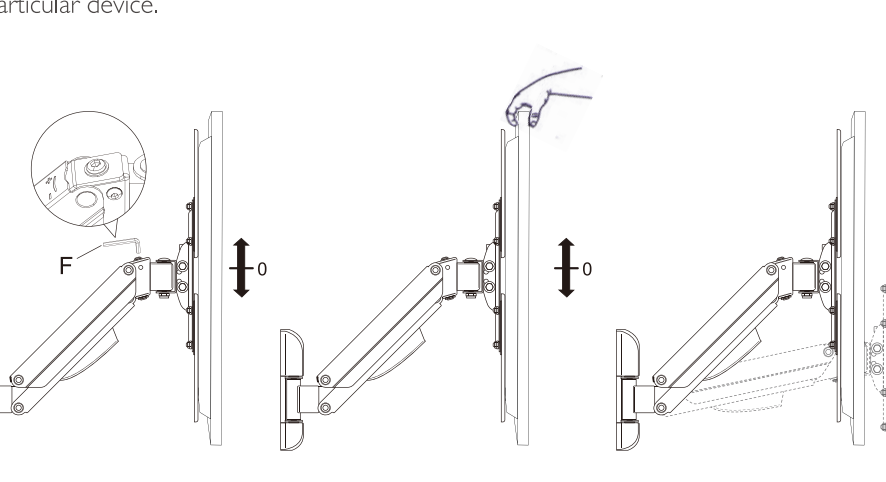
5. Adjust the tilt and swivel angles at the desired viewing position directly from the joints on the wall plate or the ones located in the mounting arm assembly.



**5. Final assembly**

**Note:** Make sure that the display weighs at least 22lb or more. Some flat panels require two people to lift and position it onto the extension arm.

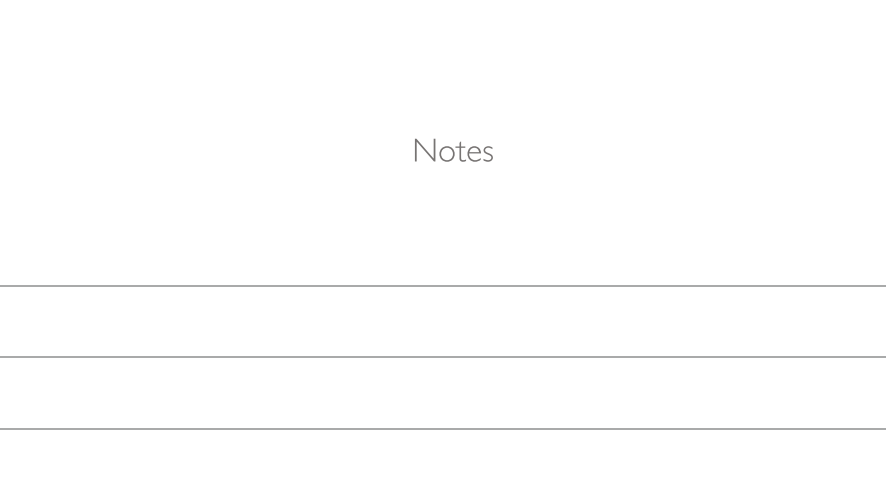
1. Slide the screen with the VESA plate onto the top of the arm mount.
2. Then replace the bottom mounting bolt and nut, removed earlier, and tighten all fasteners to firmly secure the display onto the wall, as shown in the figure below.



6. Finally route the cables through the cord management channels, for an organized and professional looking installation.

**Hang the TV onto the wall plate**

5. Adjust the tilt and swivel angles at the desired viewing position directly from the joints on the wall plate or the ones located in the mounting arm assembly.



**5. Final assembly**

**Note:** Make sure that the display weighs at least 22lb or more. Some flat panels require two people to lift and position it onto the extension arm.

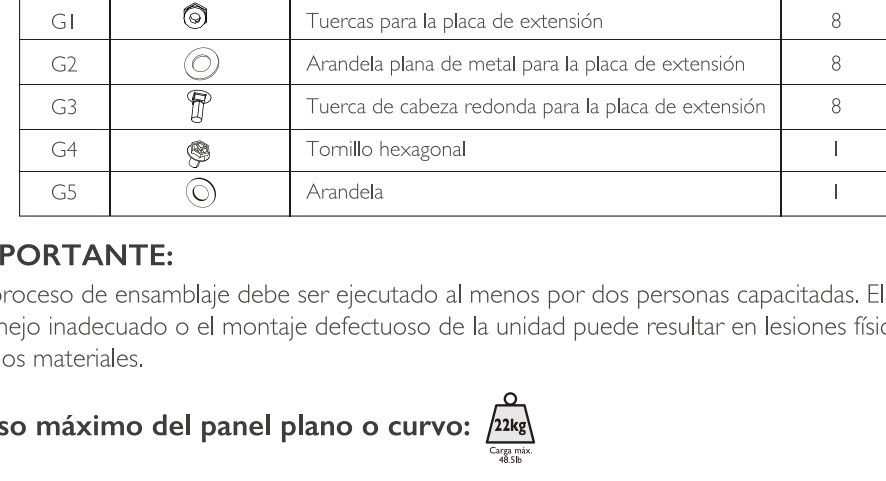
1. Slide the screen with the VESA plate onto the top of the arm mount.
2. Then replace the bottom mounting bolt and nut, removed earlier, and tighten all fasteners to firmly secure the display onto the wall, as shown in the figure below.



6. Finally route the cables through the cord management channels, for an organized and professional looking installation.

**Hang the TV onto the wall plate**

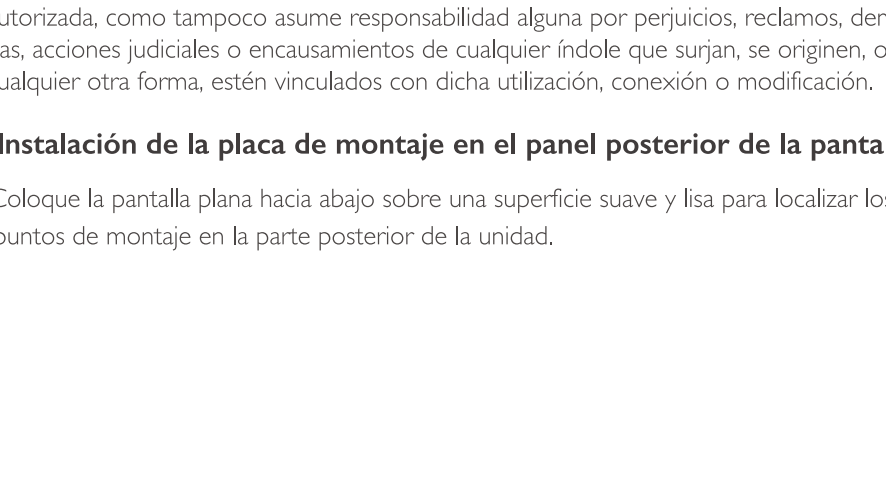
5. Adjust the tilt and swivel angles at the desired viewing position directly from the joints on the wall plate or the ones located in the mounting arm assembly.



**5. Final assembly**

**Note:** Make sure that the display weighs at least 22lb or more. Some flat panels require two people to lift and position it onto the extension arm.

1. Slide the screen with the VESA plate onto the top of the arm mount.
2. Then replace the bottom mounting bolt and nut, removed earlier, and tighten all fasteners to firmly secure the display onto the wall, as shown in the figure below.



6. Finally route the cables through the cord management channels, for an organized and professional looking installation.